

D

Montageanleitung für Serie Dekotec

Mantelleitung ins Gehäuse führen. Anschlußleitung mit Silikonschlauch isolieren.

GB

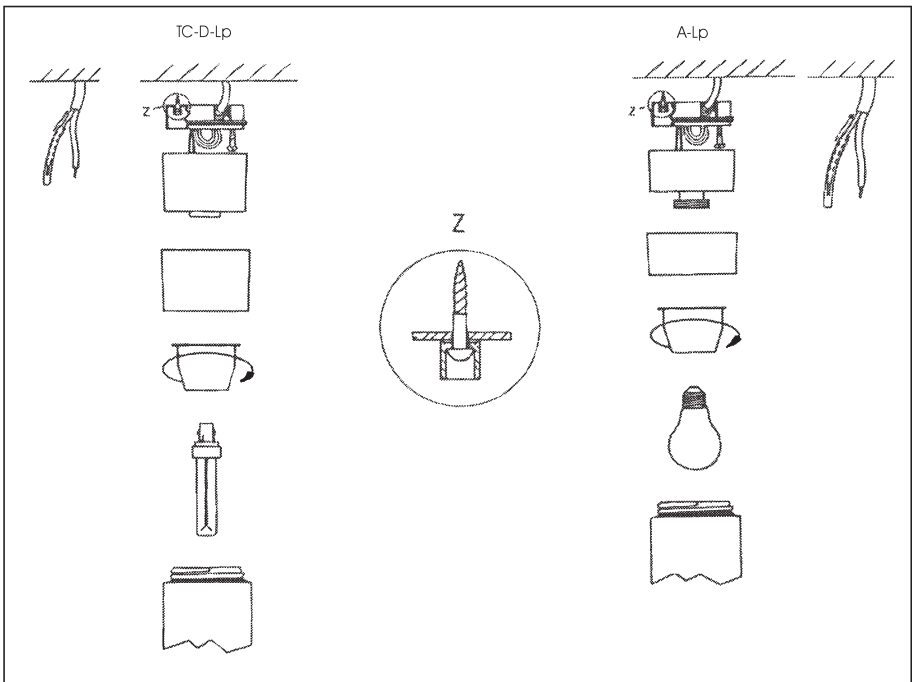
Mounting instruction for series dekotec

Insert sheathed cable into housing. Insulate connecting cable with silicon tube.

F

Instruction de montage pour serie dekotec

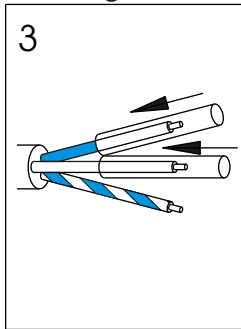
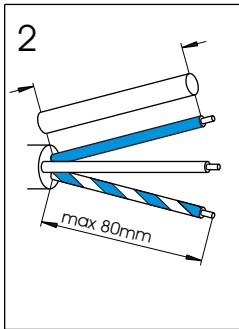
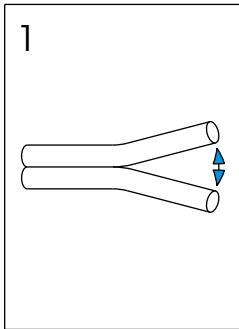
Introduisez le câble dans la boîte. Isolez les câbles d'alimentation avec tuyau.



INSTRUCTION



09-0399.002 Ausg.08.2003

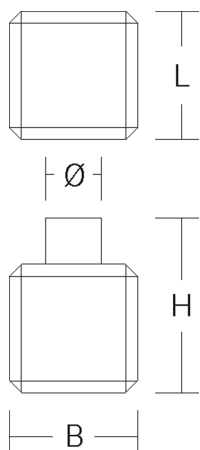


INSTRUCTION



09-0679.002 Ausg. 10.97

- (D) POLYCARBONAT
Chemische Beständigkeit beachten!
Nur mit feuchtem Tuch säubern (reines Wasser)
- (GB) POLYCARBONATE
Please pay attention to chemical resistance!
Should only be cleaned with moist cloth (clean water)
- (F) POLYCARBONATE
Prenez garde à la résistance chimique!
Nettoyer uniquement avec un tissu humide (l'eau pur)
- (NL) POLYCARBONAAT
Let op chemische bestendigheid!
Slechts met vochtige doek schoonmaken (schoon water)
- (E) POLICARBONATO
Atención a su estabilidad química!
Limpiar solamente con ballea humedecida (agua pura)
- (I) POLICARBONATO
Per la pulizia usare esclusivamente un panno
inumidito (acqua pura)



61734.003



Series: Opal glass luminaires House number luminaires

Type of Installation: Ceiling mounting
 Type of Protection: **IP 44**
 Protection Class: II
 Lamp/Wattage: 1 x A60 15/25/40/60/75/100 W
 Dimensions: L 215, B 215, H 285
 Colour: black

"Base: plastic; diffuser fastening: retaining screws;" diffuser: hand-blown opal glass, satin finish. Lettering must be ordered separately. Lettering can be applied on more than one side.

Electro-technics:

Voltage 0 - 250 V / 0 - 60 Hz
 Electric Gear ohne Betriebsgerät

Testings:

Safety Marks F-mark
 Energy Efficiency Class A, C, E
 conventional lamp
 Glow Wire Test 850°C - 30 seconds
 Impact Protection (IK-Value) IK02 (0,20 Joule)
 Protection Class II
 Country Code CE
 Other Marks WEEE mark
 Type of Protection **IP 44**

Lamp 1:

Number of Lamps 1
 Lamp 1 A60
 Lebensdauer
 Wattage 60,00 W, 100,00 W, 40,00 W,
 15,00 W, 25,00 W, 75,00 W
 Light colour
 Socket E27

Lamp 2:

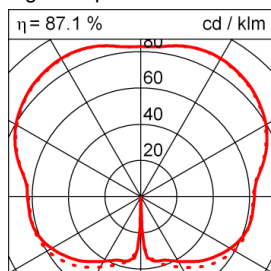
Lebensdauer Lampe

Weights and measures:

Height H 285 mm
 Weight 2,6 kg
 Width B 215 mm
 Length L 215 mm

Lighting technology:

Light Output Ratio 87,1 %



Replacement parts

Replacement parts

05-61034 Replacement glass L 215 x B 215, H 237

Replacement glasses

RZB

61734.003



This luminaire is suitable for use with lamps of energy efficiency classes:



874/2012

